

pressure  
**SENSORS**



Model Number	2200V1	2013V	2011V
Nominal Sensitivity (mV/psi)	50	2,000	5
Full Scale Range for +5V Output (psi)	100	2.5/179 dB	1,000
Maximum Pressure (psi)	2,000	10/191 dB	2,000
Weight (grams)	6	32	13
Temperature Range (°F)	-100 to +250	-60 to +250	-60 to +250
Application	Fast rise time / High sensitivity	Microphone	Engine

pressure  
**SENSORS**



Model Number	2300V1	2300V3	2300V4	2300V5	2300V6
Nominal Sensitivity (mV/psi)	20	10	5	1	.5
Full Scale Range for +5V Output (psi)	250	500	1,000	5,000	10,000
Maximum Pressure (psi)	5,000	10,000	10,000	15,000	15,000
Weight (grams)	6	6	6	6	6
Temperature Range (°F)	-100 to +250	-100 to +250	-100 to +250	-100 to +250	-100 to +250
Application	Fast rise time, general purpose				

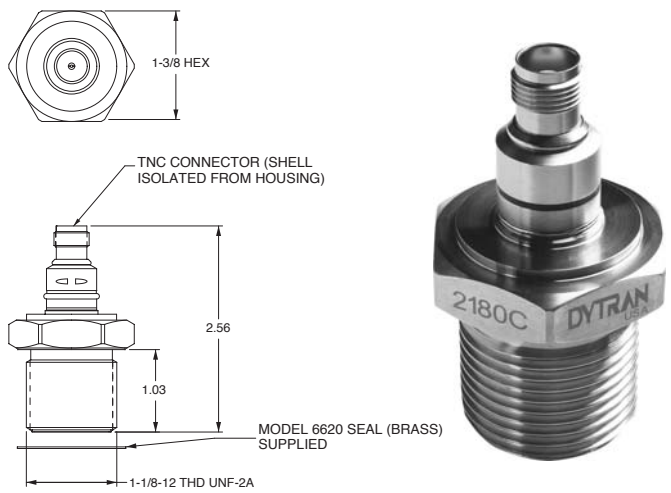
charge mode  
**PRESSURE SENSORS**



Model Number	SERIES 2200C					SERIES 2300C				
	2200C1	2200C2	2200C4	2200C5	2200C6	2300C1	2300C2	2300C3	2300C4	2300C7
Nominal Sensitivity (pC/psi)	-1.0	-1.0	-1.0	-1.0	-1.0	-.35	-.35	-.35	-.35	-.35
Maximum Pressure (psi)	10,000	10,000	10,000	10,000	15,000	10,000	10,000	10,000	10,000	15,000
Calibrated Range (psi)	100	500	1,000	5,000	10,000	100	500	1,000	3,000	15,000
Weight (grams)	7	7	7	7	7	6.5	6.5	6.5	6.5	6.5
Temperature Range (°F)	-400 to +500	-400 to +500	-400 to +500	-400 to +500	-400 to +500	-400 to +500	-400 to +500	-400 to +500	-400 to +500	-400 to +500
Application	Fast rise time, high temperature									

## high intensity ACOUSTIC SENSOR

<b>Model Number</b>	<b>2180C</b>
Nominal Sensitivity (pC/psi)	-750
Full Scale Range psi (dB)	10 (191)
Maximum Pressure psi (dB)	600 (226)
Weight (grams)	157
Temperature Range (°F)	-60 to +600
Application	turbine combustor dynamics



## pressure sensor ACCESSORIES

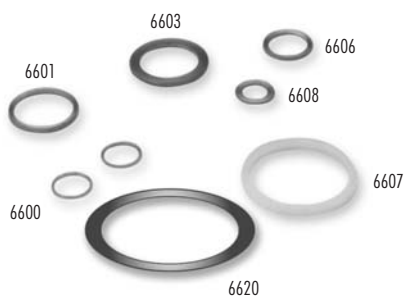
## MOUNTING ADAPTERS



- 6230 Hollow clamp nut for 2013V microphone
- 6501 1/8 NPT mounting adapter for .217 diaphragm dia. sensors, 5/16-24 internal thread
- 6502 3/8-24 mounting adapter for .217 diaphragm dia. sensors, 5/16-24 internal thread
- 6503 3/8-24 mounting adapter for .217 diaphragm dia. sensors, M7 X 0.75 internal thread
- 6511 Clamp nut for 2201 and 2301 series probe type pressure sensors, 5/16-24 internal thread
- 6520 3/8-24 isolation adapter for .217 diaphragm dia. sensors, Delrin (100 psi max pressure)
- 6522 Thermal isolation adapter for .217 diaphragm dia. sensors, 6-32 thread

## pressure sensor ACCESSORIES

## SEALS



- 6600 Seal, .218 I.D. x .250 O.D. x .015 thick, for .217 diameter diaphragm sensors
- 6601 Seal, .375 I.D. x .437 O.D. x .030 thick, for use with 6502 and 6503 mounting adapters
- 6603 Seal, .375 I.D. x .500 O.D. x .030 thick, for use with 6502 and 6503 mounting adapters
- 6606 Seal, .250 I.D. x .320 O.D. x .020 thick, for 2011V
- 6607 Seal, .618 I.D. x .700 O.D. x .060 thick, for 2013V
- 6608 Seal, .166 I.D. x .250 O.D. x .010 thick, for 6522 thermal isolation adapter
- 6620 Seal, 1.062 I.D. x 1.35 O.D. x .020 thick, for 2180C