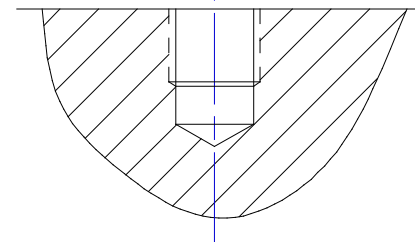
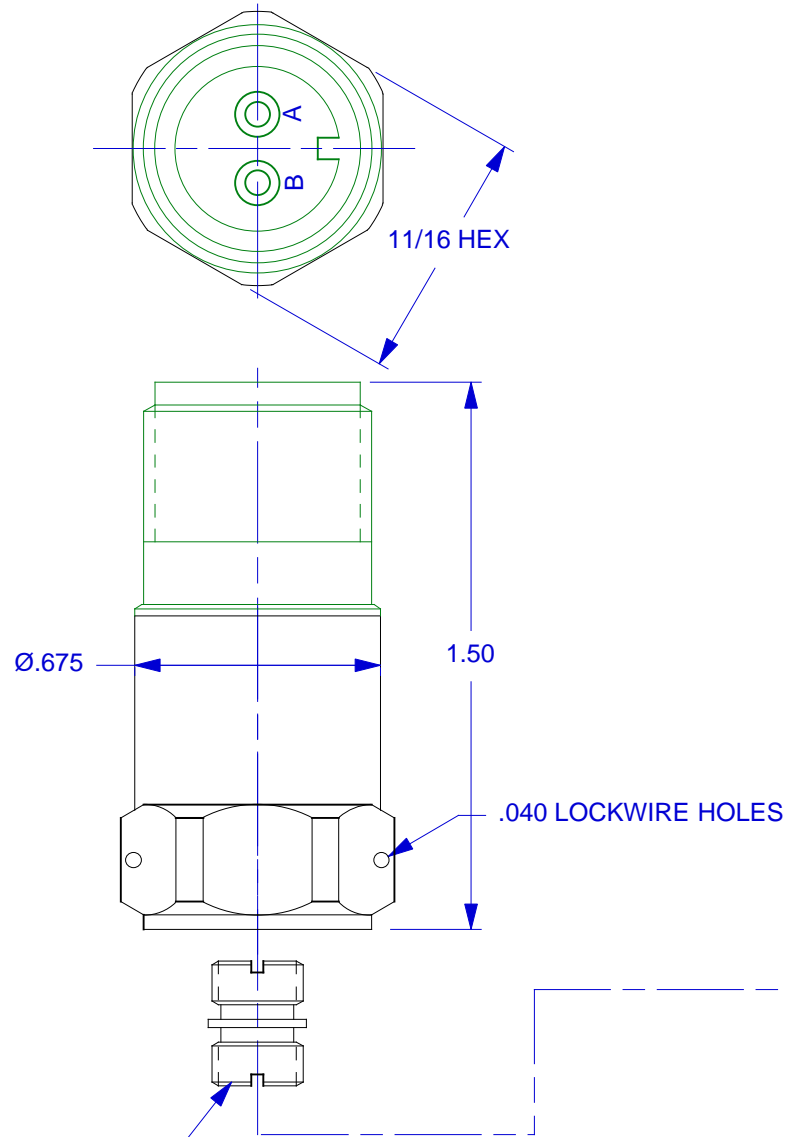


PRELIMINARY 1/8/04



**MOUNTING PORT INSTRUCTIONS:
DRILL #3 (Ø.213) X .250 DEEP
TAP 1/4-28 UNF-2B X .250 DEEP**

**MODEL 6176 1/4-28
MOUNTING STUD.
(SUPPLIED)**

EXCEPT AS OTHERWISE NOTED	
ALL DIMENSIONS IN INCHES TOLERANCE: .XXX = ± .005 SURFACE FINISH EXCEPT AS NOTED BREAK EDGES TO DEBURR RADIUS OR CHAMFER	.XX = ± .010 63 ✓ .003
△ THESE DIAS ⊙ TO FILLETS -	- T.I.R. - MAX RAD.

		CHATSWORTH, CA.					
						SCALE	2X
DATE	1/7/04	PART NO.		MODEL 3058A			
DRAWN	N.C.	CHECKED	R.A.	MAT'L		-	
APPROVED		NEXT ASSEMBLY			USED ON		3058A
TITLE						DWG NO.	
OUTLINE/INSTALLATION DRAWING, MODEL 3058A						127-3058A	
SHEET						1 OF 1	



SPECIFICATIONS

MODELS 3058A LIVM ACCELEROMETER

SPECIFICATION	VALUE	UNITS
PHYSICAL		
WEIGHT (EST.)	35	GRAMS
SIZE, HEX x HEIGHT	.69 x 1.50	IN
MOUNTING PROVISION	TAPPED HOLE AT CENTER	1/4-28
ELECTRICAL CONNECTOR, AXIAL	2-PIN MILITARY MIL-C-5015, HERMETIC	
MATERIAL CASE/CONNECTOR	300 SERIES	ST. STEEL
ELEMENT TYPE	PIEZOCERAMIC, PLANAR SHEAR	
PERFORMANCE		
SENSITIVITY, $\pm 10\%$ [1]	100	mV/G
RANGE FOR ± 5 VOLTS OUT	± 50	G
FREQUENCY RESPONSE, $\pm 20\%$	0.3 to 10,000	Hz
MOUNTED RESONANT FREQUENCY, TYP.	27	kHz
EQUIVALENT ELECTRICAL NOISE FLOOR, (RESOLUTION)	.00002	G RMS
AMPLITUDE NON-LINEARITY (ZERO BASED BEST FIT ST.LINE METHOD)	2.0	% F.S., MAX.
TRANSVERSE SENSITIVITY, MAX.	5	PERCENT
STRAIN SENSITIVITY	.0001	G's PER MICROSTRAIN @ 250/ μ
ENVIRONMENTAL		
MAXIMUM VIBRATION	500	G's, RMS
MAXIMUM SHOCK	5000	G's, PEAK
TEMPERATURE RANGE	-60 TO +250	$^{\circ}$ F
ENVIRONMENTAL SEAL	GLASS TO METAL/WELDED,HERMETIC	
ELECTRICAL		
COMPLIANCE (SUPPLY) VOLTAGE RANGE [2]	+20 to +30	VDC
EXCITATION CURRENT RANGE	2 to 20	mA
OUTPUT IMPEDANCE, NOM.	200	OHMS
OUTPUT BIAS VOLTAGE, ± 1 . VOLTS	13	VDC
DISCHARGE TIME CONSTANT, MIN.	.5	SEC.
OUTPUT SIGNAL POLARITY FOR ACCELERATION TOWARD TOP	POSITIVE GOING	
POWER/SIGNAL GROUND to CASE ISOLATION, MIN.	10	MEGOHMS

ACCESSORIES PROVIDED

MODEL 6176 1/4-28 SHOULDERED MOUNTING STUD

NOTES

[1] MEASURED AT 100 Hz, 1 G RMS. A CALIBRATION CERTIFICATE TRACEABLE TO **NIST** IS SUPPLIED WITH EACH INSTRUMENT.

[2] THE USE OF DYTRAN LIVM CURRENT SOURCE POWER UNITS IS RECOMMENDED. **DO NOT CONNECT THIS INSTRUMENT TO A SOURCE OF DC VOLTAGE WITHOUT CURRENT LIMITING PROTECTION, 20 mA MAX.** TO DO SO WILL DESTROY THE INTERNAL AMPLIFIER AND VOID THE WARRANTY.